

SL600EVK

600 N | for gates up to 600 kg per leaf

POWERED BY
myQ®

Motor warranty: 2 years

Max. gate weight with max. leaf width

600 kg max. weight per leaf

8 m max. width per leaf*

Max. cycles h/day: 8/27

Max. opening speed: 240mm/sec.

* 2-leaf application via synchronisation possible.
2nd Sliding gate drive required



Delivery kit SL600EVK

SL600EV



1x 24 V sliding gate operator

TX4EVF

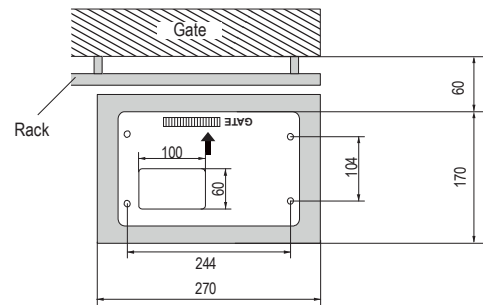
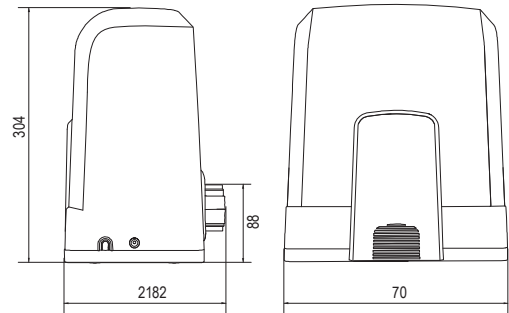


4-channel remote transmitter
Controls up to 4 openers

041A0288



1 x control board
factory installed Includes
transformer and integrated
radio module



Further kits

- | | |
|--------------------|--|
| SL600EVK-01 | SL600EVK-Kit
+ infrared + safety sensor (772E-01) |
| SL600EVK-02 | SL600EVK-Kit
+ flashing light (FLA1LED) |
| SL600EVK-03 | SL600EVK-Kit
+ infrared safety sensor (772E-01)
+ flashing light (FLA1LED) |

